

**Description**

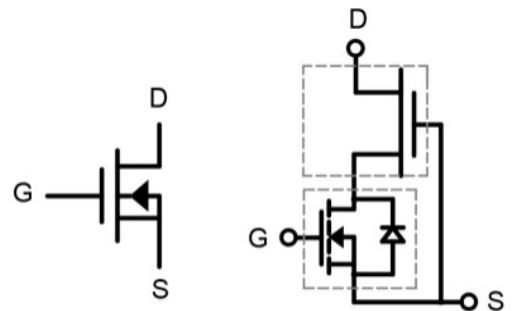
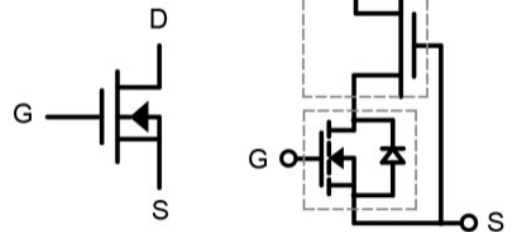
| Product Summary |                            |          |
|-----------------|----------------------------|----------|
| $V_{DS}(V)$     | $R_{DS(on)}(m\Omega)(Typ)$ | $I_D(A)$ |
| 650             | 50@ $V_{GS} = 12V$         | 38       |

**Feature**

- Easy to use, compatible with standard gate drivers
- Excellent  $Q_G \times R_{DS(on)}$  figure of merit (FOM)
- Low  $Q_{RR}$ , no free-wheeling diode required
- Low switching loss
- RoHS compliant and Halogen-free

**Applications**

- High efficiency power supplies
- Telecom and datacom
- Automotive
- Servo motors


**TOLL (Bottom View)**

**Schematic Diagram**

**Absolute maximum rating@25°C**

| Parameter  | Symbol         | Rating            | Unit       |
|--|----------------|-------------------|------------|
| Drain-Source Voltage                             | $V_{DS}$       | 650               | V          |
| Gate-Source Voltage                              | $V_{GS}$       | $\pm 20$          | V          |
| Transient Drain-Source Voltage <sup>1)</sup>     | $V_{TDS}$      | 800               | V          |
| Continuous Drain Current                         | $I_D$          | $T_C=25^\circ C$  | 38         |
|  |                | $T_C=100^\circ C$ | 25         |
| Pulsed Drain Current (Pulse Width: 100 $\mu s$ ) | $I_{DM}$       | $T_C=25^\circ C$  | 156        |
|  |                | $T_C=100^\circ C$ | 101        |
| Power Dissipation                                | $P_D$          | 139               | W          |
| Soldering Peak Temperature                       | $T_{CSOLD}$    | 260               | $^\circ C$ |
| Operating Junction and Storage Temperature       | $T_J, T_{STG}$ | -55 to 150        | $^\circ C$ |

**Thermal Resistance**

| Parameter   | Symbol          | Min | Typ  | Max | Unit         |
|---|-----------------|-----|------|-----|--------------|
| Thermal Resistance, Junction-to-Case                  | $R_{\theta JC}$ | -   | 0.91 | -   | $^\circ C/W$ |
| Thermal Resistance, Junction-to-Ambient <sup>2)</sup> | $R_{\theta JA}$ | -   | 50   | -   | $^\circ C/W$ |

## Electrical characteristics per line@25°C (unless otherwise specified)

| Parameter                                      | Symbol                  | Conditions   | Min.              | Typ.  | Max.      | Units   |         |
|--|-------------------------|--|-------------------|-------|-----------|---------|---------|
| <b>Statistic Characteristics</b>               |                         |  |                   |       |           |         |         |
| Maximum Drain-Source Voltage                   | $V_{DS-Max}$            | $V_{GS} = 0V$  | 650               | -     | -         | V       |         |
| Drain-Source Breakdown Voltage                 | $BV_{DSS}$              | $V_{GS} = 0V, I_D = 250\mu A$                              | -                 | 1000  | -         | V       |         |
| Zero Gate Voltage Drain Current                | $I_{DSS}$               | $V_{DS}=700V, V_{GS}=0V$                                   | $T_J=25^\circ C$  | -     | 10        | 30      | $\mu A$ |
|  |                         |  | $T_J=150^\circ C$ | -     | 50        | -       |         |
| Gate-Body Leakage Current                      | $I_{GSS}$               | $V_{GS} = \pm 20V, V_{DS} = 0V$                            | -                 | -     | $\pm 150$ | nA      |         |
| Gate Threshold Voltage                         | $V_{GS(th)}$            | $V_{DS} = V_{GS}, I_D = 500\mu A$                          | 3.0               | 4.0   | 5.0       | V       |         |
| Gate Threshold Voltage Temperature Coefficient | $\Delta V_{GS(th)}/T_J$ |  | -                 | -11.3 | -         | mV/°C   |         |
| Drain-Source On-State Resistance <sup>3)</sup> | $R_{DS(ON)}$            | $V_{GS}=12V, I_D=4A$                                       | $T_J=25^\circ C$  | -     | 50        | 65      | mΩ      |
|  |                         |  | $T_J=150^\circ C$ | -     | 100       | -       |         |
| <b>Dynamic Characteristics</b>                 |                         |  |                   |       |           |         |         |
| Input Capacitance                              | $C_{Iss}$               | $V_{DS} = 400V, V_{GS} = 0V, f = 1MHz$                     | -                 | 519   | -         | pF      |         |
| Output Capacitance                             | $C_{oss}$               |  | -                 | 117   | -         |         |         |
| Reverse Transfer Capacitance                   | $C_{rss}$               |  | -                 | 2.7   | -         |         |         |
| Effective Output Capacitance, Energy Related   | $C_{o(er)}$             | $V_{GS} = 0V, V_{DS} = 0-400V$                             | -                 | 175   | -         | pF      |         |
| Effective Output Capacitance, Time Related     | $C_{o(tr)}$             |  | -                 | 317   | -         |         |         |
| Output Charge                                  | $Q_{oss}$               |  | -                 | 127   | -         |         | nC      |
| Turn-on Delay Time                             | $t_{d(on)}$             | $V_{DS} = 400V, I_D = 10A, V_{GS} = 0-12V, R_G = 40\Omega$ | -                 | 44    | -         | ns      |         |
| Turn-on Rise Time                              | $t_r$                   |  | -                 | 16    | -         |         |         |
| Turn-Off Delay Time                            | $t_{d(off)}$            |  | -                 | 40    | -         |         |         |
| Turn-Off Fall Time                             | $t_f$                   |  | -                 | 12    | -         |         |         |
| Total Gate Charge                              | $Q_g$                   | $V_{DS} = 400V, I_D = 6A, V_{GS} = 0-12V$                  | -                 | 17    | -         | nC      |         |
| Gate-Source Charge                             | $Q_{gs}$                |  | -                 | 4.6   | -         |         |         |
| Gate-Drain Charge                              | $Q_{gd}$                |  | -                 | 5.6   | -         |         |         |
| <b>Reverse Diode Characteristics</b>           |                         |  |                   |       |           |         |         |
| Diode Forward Voltage                          | $V_{SD}$                | $V_{GS}=0V, I_S=12.5A$                                     | -                 | 1.3   | -         | V       |         |
|  |                         | $V_{GS}=0V, I_S=25A$                                       | $T_J=25^\circ C$  | -     | 1.9       |         | -       |
|  |                         |  | $T_J=150^\circ C$ | -     | 3.0       |         | -       |
| Reverse Recovery Time                          | $t_{rr}$                | $V_{GS}=0V, I_S=25A, V_{DD}=400V, di/dt=1000A/\mu s$       | -                 | 43    | -         | ns      |         |
| Reverse Recovery Charge                        | $Q_{rr}$                |  | -                 | 127   | -         | $\mu C$ |         |

## Notes:

- Off-state spike duty cycle < 0.01, spike duration < 2 $\mu s$
- Device on one layer epoxy PCB for drain connection (vertical and without air stream cooling, with 6cm<sup>2</sup>copper area and 70 $\mu m$  thickness)
- Dynamic on-resistance; see Figure 18 and 19 for test circuit and configurations

## Typical Characteristics

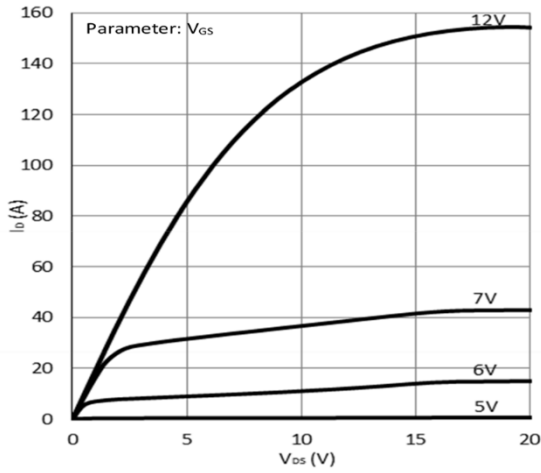


Figure 1. Typical Output Characteristics  $T_j=25^\circ\text{C}$

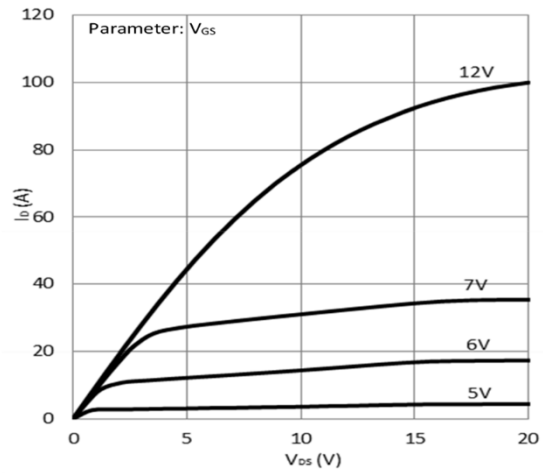


Figure 2. Typical Output Characteristics  $T_j=150^\circ\text{C}$

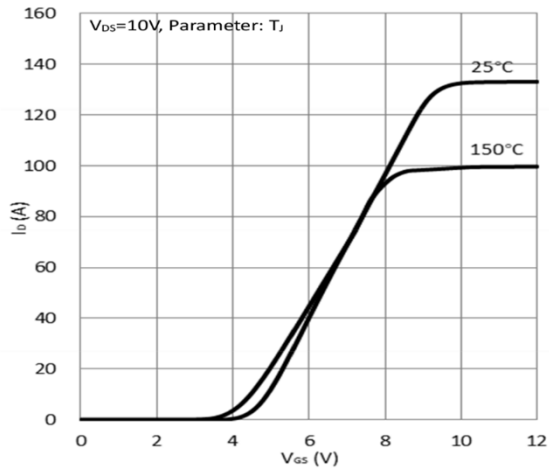


Figure 3. Typical Transfer Characteristics

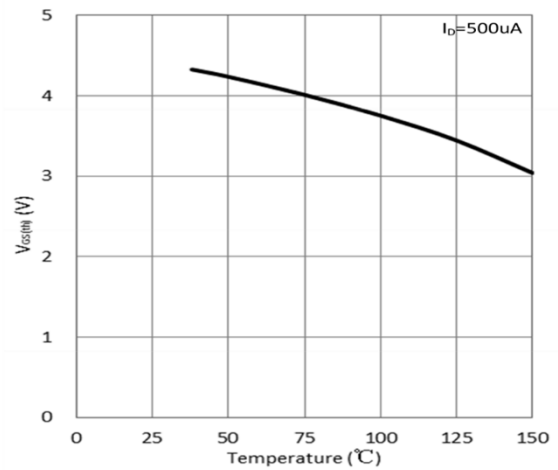


Figure 4.  $V_{GS(th)}$  Vs Temperature Characteristics

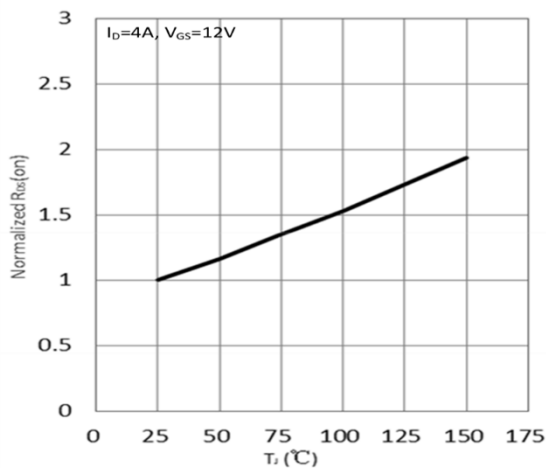


Figure 5. Normalized On-resistance

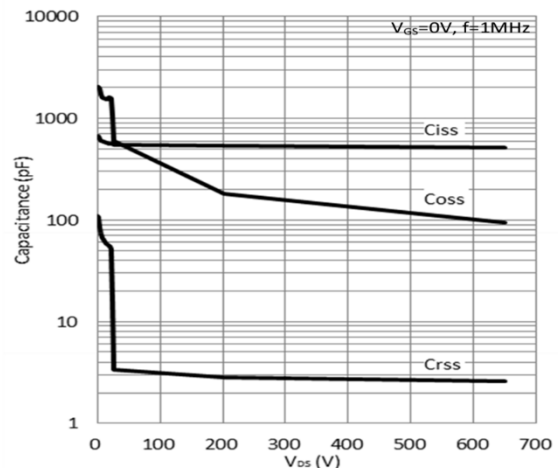


Figure 6. Typical Capacitance

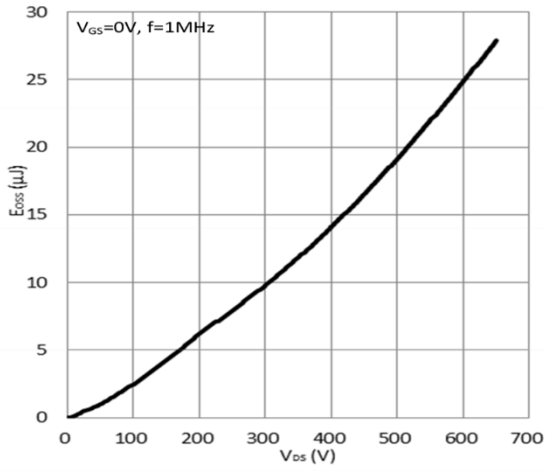


Figure 7. Typical Coss Stored Energy

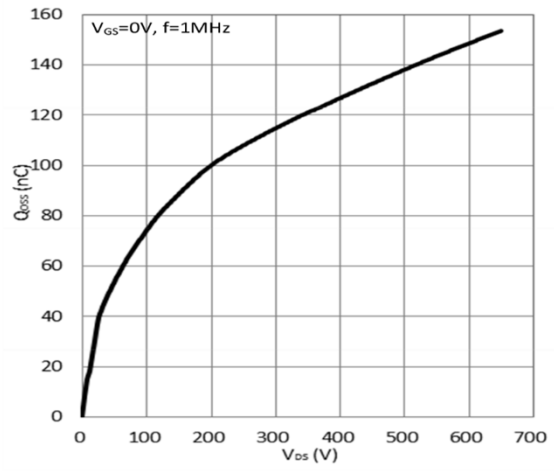


Figure 8. Typical Qoss

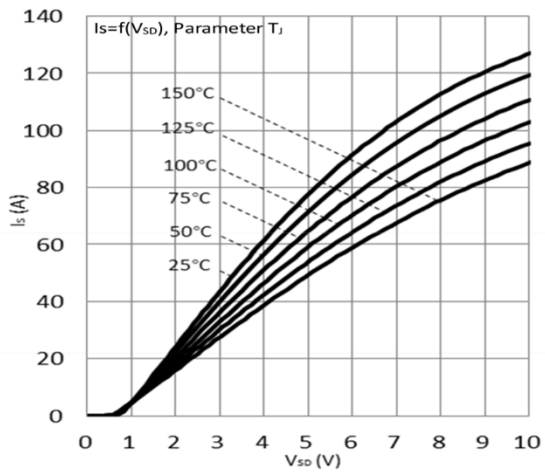


Figure 9. Forward Characteristic of Rev. Diode

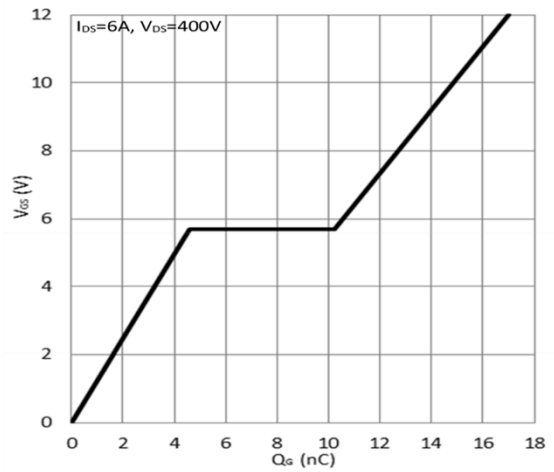


Figure 10. Typical Gate Charge

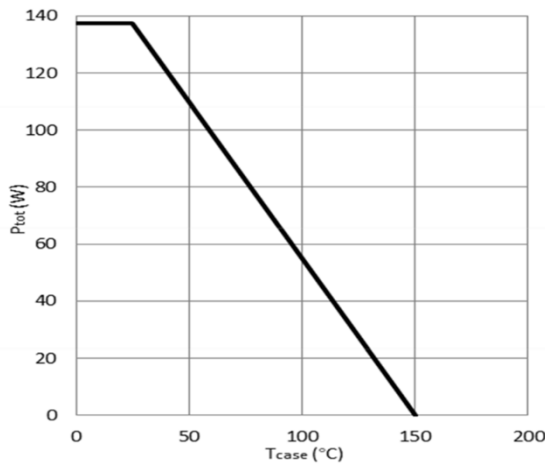


Figure 11. Power Dissipation

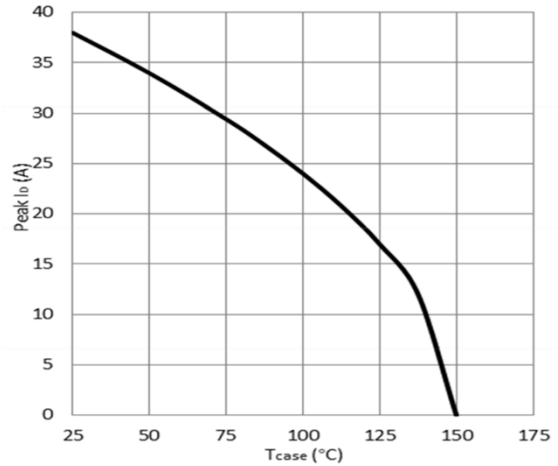


Figure 12. Current Derating

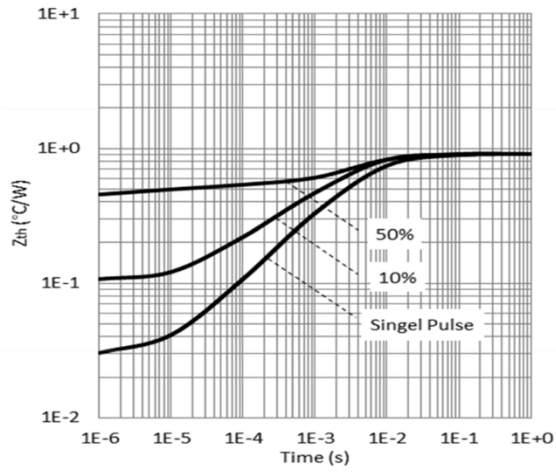


Figure 13. Transient Thermal Resistance

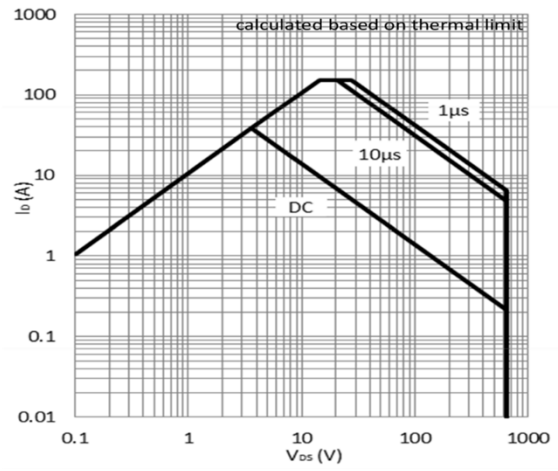


Figure 14. Safe Operating Area  $T_c=25^\circ\text{C}$

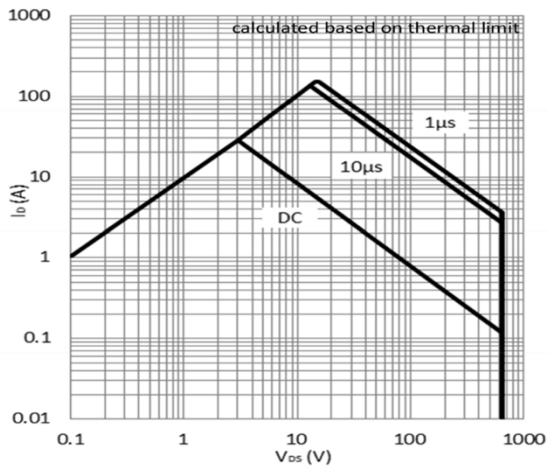


Figure 15. Safe Operating Area  $T_c=80^\circ\text{C}$

Test Circuits and Waveforms

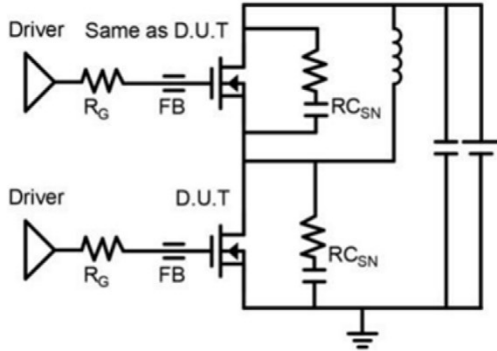


Figure 16. Switching Time Test Circuit

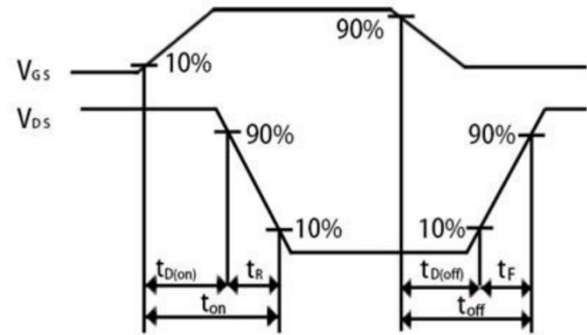


Figure 17. Switching Time Waveform

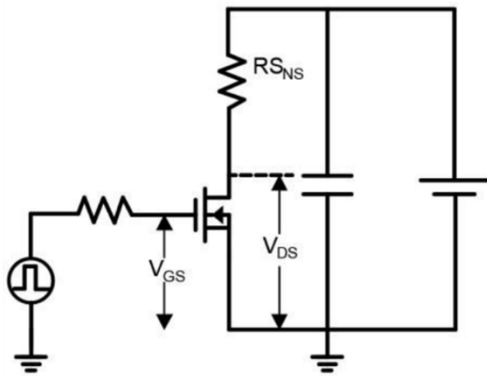


Figure 18. Dynamic  $R_{DS(on)}$  Test Circuit

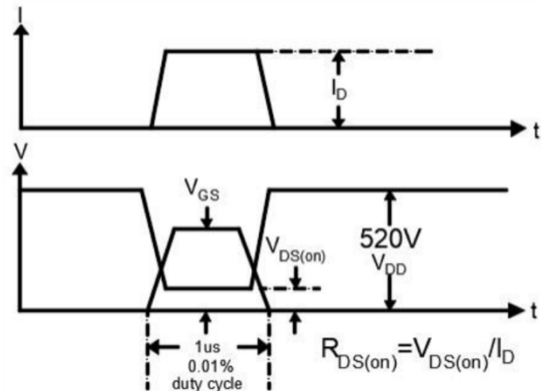


Figure 19. Dynamic  $R_{DS(on)}$  Waveform

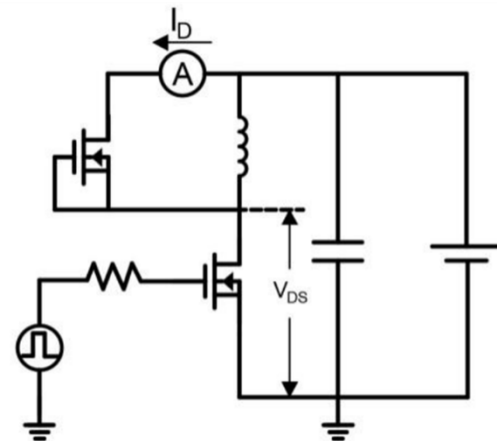


Figure 20. Diode Characteristic Test Circuits

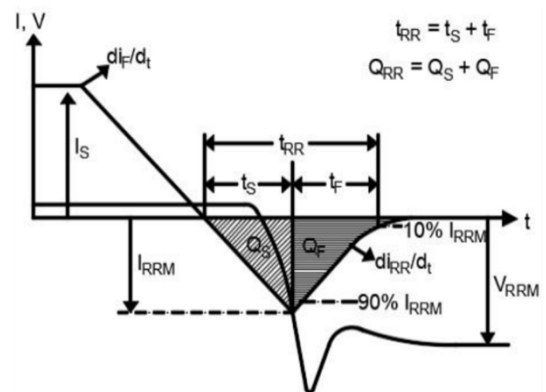
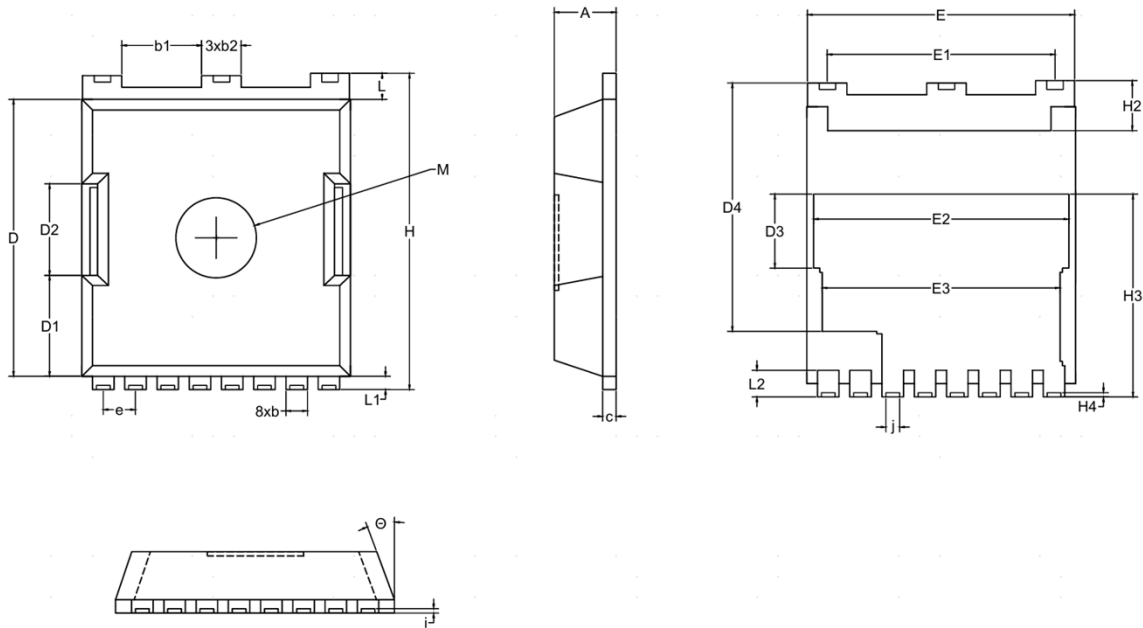



Figure 21. Diode Recovery Waveform

## Product dimension (TOLL)



| SYMBOL | Millimeter |       |       |
|--------|------------|-------|-------|
|        | Min        | Nom   | Max   |
| A      | 2.20       | 2.30  | 2.40  |
| b1     | 0.70       | 0.80  | 0.90  |
| b2     | 1.10       | 1.20  | 1.30  |
| c      | 0.40       | 0.50  | 0.60  |
| D      | 10.28      | 10.38 | 10.58 |
| D1     | 4.18REF    |       |       |
| D2     | 3.30 REF   |       |       |
| D3     | 2.77REF    |       |       |
| D4     | 9.03REF    |       |       |
| E      | 9.70       | 9.90  | 10.10 |
| E1     | 8.50REF    |       |       |
| E2     | 9.40REF    |       |       |
| E3     | 8.50REF    |       |       |
| e      | 1.10       | 1.20  | 1.30  |
| H      | 11.48      | 11.68 | 11.88 |
| H2     | 1.10       | 1.20  | 1.30  |
| H3     | 7.50       | 7.60  | 7.70  |
| H4     | 0.13       | 0.23  | 0.33  |
| i      | 0.10       | -     | -     |
| j      | 0.42       | 0.45  | 0.50  |
| L      | 0.50       | 0.70  | 0.90  |
| L1     | 0.50       | 0.60  | 0.70  |
| L2     | 1.05       | 1.20  | 1.30  |
| M      | 3REF       |       |       |
| e      | 10°REF     |       |       |


**IMPORTANT NOTICE**

 and **Prisemi**<sup>®</sup> are registered trademarks of **Prisemi Electronics Co., Ltd** (Prisemi), Prisemi reserves the right to make changes without further notice to any products herein. Prisemi makes no warranty, representation or guarantee regarding the suitability of its products for any particular purpose, nor does Prisemi assume any liability arising out of the application or use of any product or circuit, and specifically disclaims any and all liability, including without limitation special, consequential or incidental damages. "Typical" parameters which may be provided in Prisemi data sheets and/or specifications can and do vary in different applications and actual performance may vary over time. All operating parameters, including "Typicals" must be validated for each customer application by customer's technical experts. Prisemi does not convey any license under its patent rights nor the rights of others. The products listed in this document are designed to be used with ordinary electronic equipment or devices, Should you intend to use these products with equipment or devices which require an extremely high level of reliability and the malfunction of with would directly endanger human life (such as medical instruments, aerospace machinery, nuclear-reactor controllers, fuel controllers and other safety devices), please be sure to consult with our sales representative in advance.

Website: <http://www.prisemi.com>

For additional information, please contact your local Sales Representative.

©Copyright 2009, Prisemi Electronics

 **Prisemi**<sup>®</sup> is a registered trademark of Prisemi Electronics.

All rights are reserved.